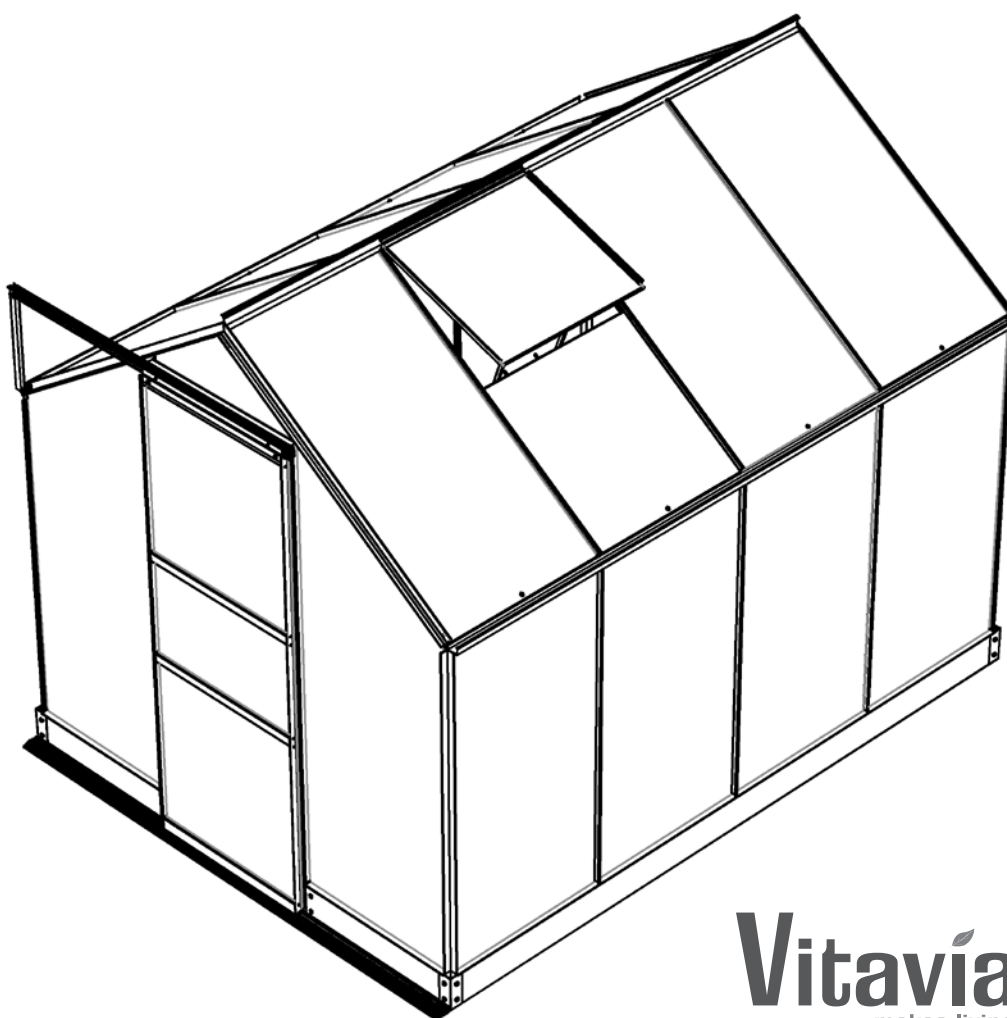


(EN) **Assembly instructions**

(DE) **Montageanleitung**

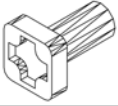

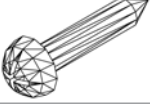
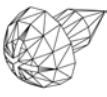



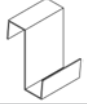


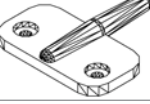




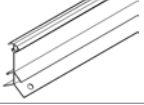

(DA) **Montagevejledning**


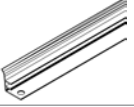
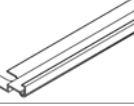
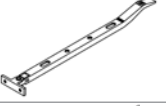


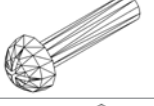
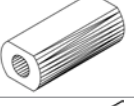
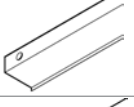
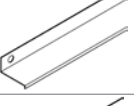
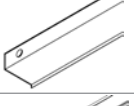
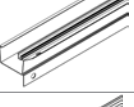
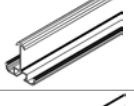


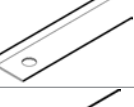

(NL) **Montage Instructies**

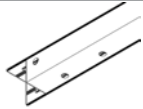
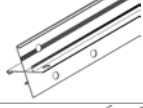
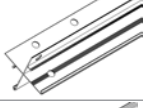



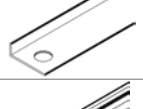

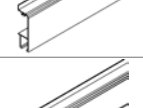
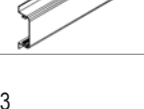


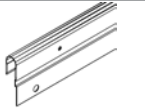
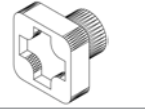

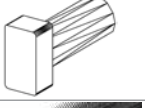

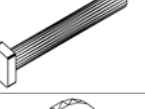
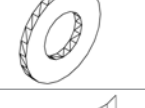
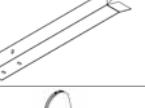
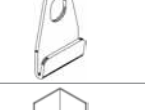
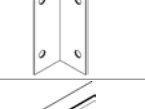
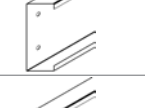
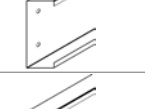
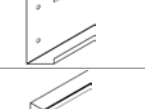
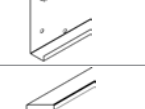
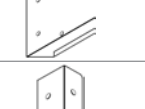

**Vitavia**  
- makes living grow

**VM0036-AP**  
**2500, 3800, 5000**

| Item No.             | Part  | Sect. Ref. | Size mm                 | Quantity     |              |              |
|----------------------|---|------------|-------------------------|--------------|--------------|--------------|
|                      |   |            |                         | 2500         | 3800         | 5000         |
| 1001                 |        | 0B-6       | M6 x 12                 | 116x         | 128x         | 139x         |
| 1002                 |        | 0B-6       | M6                      | 118x         | 129x         | 140x         |
| 1003                 |        | 5          | 3.5 x 16                | 16x          | 16x          | 16x          |
| 1006                 |        | 6          | 3.5 x 6                 | 6x           | 6x           | 6x           |
| 1007                 |        | 5          | M4                      | 2x           | 2x           | 2x           |
| 1009                 |        | 5          | Ø8/4                    | 2x           | 2x           | 2x           |
| 1011                 |       | 7          | 70                      | 148x         | 180x         | 212x         |
| 1012                 |      | 7          | 11                      | 36x          | 44x          | 52x          |
| 1014                 |      | 5          | 20                      | 2x           | 2x           | 2x           |
| 1015                 |      | 5          | Ø22                     | 2x           | 2x           | 2x           |
| 1016                 |      | 6          | 40                      | 2x           | 2x           | 2x           |
| 1017                 |      | 4          | 46                      | 4x           | 4x           | 4x           |
| 1018                 |      | 4          | 43.7                    | 8x           | 8x           | 8x           |
| 1019                 |      | 6          | 15                      | 1x           | 1x           | 1x           |
| 1020                 | PVC  | 7          | 45000<br>56000<br>67000 | 1x<br>-<br>- | -<br>1x<br>- | -<br>-<br>1x |
| 1050<br>1051<br>1052 |      | 4          | 1240<br>1862<br>2484    | 1x<br>-<br>- | -<br>1x<br>- | -<br>-<br>1x |
| 1063                 |      | 6          | 635                     | 1x           | 1x           | 1x           |

| Item No.             | Part   | Sect. Ref.  | Size mm              | Quantity      |              |               |
|----------------------|--|-------------|----------------------|---------------|--------------|---------------|
|                      |  |             |                      | 2500          | 3800         | 5000          |
| 1064                 |    | 6           | 602                  | 1x            | 1x           | 1x            |
| 1065                 |    | 6           | 520                  | 2x            | 2x           | 2x            |
| 1066                 |    | 6           | 602                  | 1x            | 1x           | 1x            |
| 1067                 |    | 6           | 295                  | 1x            | 1x           | 1x            |
| 1285                 |    | 3           | 1776                 | 1x            | 1x           | 1x            |
| 1286                 |    | 3           | 1776                 | 1x            | 1x           | 1x            |
| 1304                 |   | 5           | M4 x 18              | 2x            | 2x           | 2x            |
| 1310                 |  | 4           | 30.4                 | 1x            | 1x           | 1x            |
| 1320                 |  | 3           | 614                  | 1x            | 1x           | 1x            |
| 1321                 |  | 3           | 614                  | 1x            | 1x           | 1x            |
| 1322<br>1323<br>1324 |  | 1<br>2      | 1240<br>1862<br>2484 | 2x<br>1x<br>- | -<br>3x<br>- | -<br>1x<br>2x |
| 1327<br>1328<br>1329 |  | 1           | 1240<br>1862<br>2484 | 2x<br>-<br>-  | -<br>2x<br>- | -<br>-<br>2x  |
| 1332                 |  | 1           | 1214                 | 2x            | 4x           | 6x            |
| 1333                 |  | 2<br>3<br>4 | 1304                 | 8x            | 8x           | 8x            |
| 1334                 |  | 4           | 1922                 | 1x            | 1x           | 1x            |
| 1335                 |  | 2           | 1854                 | 1x            | 1x           | 1x            |
| 1336                 |  | 2<br>3      | 1214                 | 4x            | 4x           | 4x            |

| Item No. | Part  | Sect. Ref. | Size mm | Quantity |      |      |
|----------|---|------------|---------|----------|------|------|
|          |   |            |         | 2500     | 3800 | 5000 |
| 1337     |    | 2          | 1156    | 1x       | 1x   | 1x   |
| 1338     |    | 2          | 1156    | 1x       | 1x   | 1x   |
| 1339     |    | 3          | 1156    | 1x       | 1x   | 1x   |
| 1340     |    | 3          | 1156    | 1x       | 1x   | 1x   |
| 1341     |    | 2          | 1666.5  | 1x       | 1x   | 1x   |
| 1342     |    | 2          | 1666.5  | 1x       | 1x   | 1x   |
| 1343     |   | 2<br>3     | 170     | 4x       | 4x   | 4x   |
| 1347     |  | 3          | 1257    | 1x       | 1x   | 1x   |
| 1348     |  | 3          | 628.5   | 1x       | 1x   | 1x   |
| 1349     |  | 3          | 600     | 2x       | 2x   | 2x   |
| 1350     |  | 5          | 1728    | 2x       | 2x   | 2x   |
| 1355     |  | 4          | 1132.5  | 2x       | 4x   | 6x   |
| 1356     |  | 4          | 255     | 1x       | 2x   | 3x   |
| 1357     |  | 4          | 393     | 1x       | 1x   | 1x   |
| 1359     |  | 5          | 621     | 1x       | 1x   | 1x   |
| 1360     |  | 5          | 621     | 1x       | 1x   | 1x   |
| 1361     |  | 5          | 621     | 2x       | 2x   | 2x   |

| Item No. | Part   | Sect. Ref. | Size mm | Quantity |      |      |
|----------|--|------------|---------|----------|------|------|
|          |  |            |         | 2500     | 3800 | 5000 |
| 1362     |    | 5          | 613     | 1x       | 1x   | 1x   |
| 1500     |    | 5          | M6 x 5  | 2x       | 2x   | 2x   |
| 1515     |    | 5          | M6      | 2x       | 2x   | 2x   |
| 2001     |    | 6          | M6 x 12 | 1x       | -    | -    |
| 3021     |    | 5          | 1800    | 2x       | 2x   | 2x   |
| 4201     |    | 4          | M6 x 45 | 1x       | 1x   | 1x   |
| 6060     |   | 4          | Ø12/6   | 1x       | 1x   | 1x   |
| 9001     |  | 0B         | 520     | 4x       | 4x   | 4x   |
| 9002     |  | 4          | 19      | 14x      | 16x  | 18x  |
| 9006     |  | 0B         | 100     | 4x       | 4x   | 4x   |
| 9013     |  | 0B         | 1300    | 2x       | -    | -    |
| 9014     |  | 0B         | 1922    | 1x       | 3x   | 1x   |
| 9016     |  | 0B         | 2544    | -        | -    | 2x   |
| 9042     |  | 0B         | 644     | 1x       | 1x   | 1x   |
| 9043     |  | 0B         | 644     | 1x       | 1x   | 1x   |
| 9046     |  | 0B         | 122     | 2x       | 2x   | 2x   |

## Safety Warning

### 1. PLEASE READ THESE INSTRUCTIONS CAREFULLY AND COMPLETELY BEFORE ASSEMBLING YOUR GREENHOUSE.

- Sharp edges and corners can cause injury. Always wear protective glasses, gloves, shoes and headgear when handling the aluminium profiles, glass and polycarbonate sheets. Broken glass is a safety hazard – always clear up immediately and dispose of with care.
- The product you have purchased is intended only for growing plants and should only be used for this purpose. When used for other purposes we will take no responsibility.
- It is recommended that this greenhouse is assembled by two people.
- Should you encounter difficulties constructing this house, or in fitting the glass or polycarbonate sheets, please contact your retailer – **do not use force!**
- The greenhouse must always be anchored.

## Assembly Instructions

### SITE SELECTION

Always try to select a sunny location, sheltered from the wind as much as possible.

### IMPORTANT

Before assembling your new greenhouse, please check that all parts in the provided list are included. Please take each bundle out of the packaging in order to identify the parts better.

It is important that the opened bundles do not get mixed with one another.

If something is missing please contact your retailer.

**Nuts (1002) - Max. tightening torque 3Nm.**

### NECESSARY TOOLS

Screw drivers (Normal and Crosshead PH2), 10 mm socket spanner or wrench, 10 mm combination spanner, knife, measuring stick, spirit level, Accu-drill with adjustable torque.

### MAINTENANCE

The greenhouse should be thoroughly washed with a gentle detergent occasionally. Please check that the detergent used does not react aggressively with aluminium or the glass fixing clips.

Ensure that the upper and lower door tracks are cleaned regularly to avoid a build up of debris.

### 0A. BASE

**Important!** The base must be exactly square and level.

**(Attention!** Only when the greenhouse has to be located in a very windy and unprotected location: Drill through both the profile at the base of the greenhouse and the steel base, and connect them with nuts and bolts.)

If you would rather construct your own stone or concrete foundation, please follow the dimensions as specified in diagram 0A.

If you choose to use the anchor legs supplied with the steel base please make a hole at each point marked C. These will be filled with concrete after the assembly of the house is completed.

Foundations must extend down below the frost level.

**Diagrams in a single frame show the view from inside the greenhouse. Those enclosed in a double frame show the view from outside the greenhouse.**

### 0B. STEEL BASE

A zinc-coated steel base is delivered with the greenhouse.

We recommend the use of the anchor legs (9001).

Assemble the parts as shown using bolts (1001) and nuts (1002).

**Important!** Ensure that a space of 634mm is left between the inside ends of base lengths (9042) and (9043) in the front of the greenhouse as shown.

Bend the ends of the anchor legs to provide a secure connection in the concrete.

Position the completed base on the prepared foundation.

**(Attention!** Concrete should be poured after the house is completely assembled.)

### 1. SIDE ELEMENTS

Lay all of the parts on the floor and connect them loosely.

### 2. PLAIN GABLE END

Lay all of the parts on the floor and connect

them loosely.

Please include an extra connecting bolt in each vertical bar (1341) and (1342) to connect brace (1335) (2.2).

### 3. DOOR GABLE END

Lay all of the parts on the floor and connect them loosely.

The door runner bar (1347) will be connected to the horizontal bar (1348). Connect these loosely from the outside with two nuts and bolts.

Depending on which direction the door should open, align the door runner bar (1347) to the left or to the right.

### 4. CONNECTING THE SEPARATE ELEMENTS

Assemble the structure on the prepared steel base and connect loosely using clips (9002) (4.2) (4.3) (4.4).

Bolt the side elements to the end elements. (4.1) & (4.2).

Connect the side braces (1333) between the eave and sill bars (4.1) & (4.4).

Assemble the ridge bar to both gable ends. (4.5).

Now connect the roof glazing bars (1355) between the eaves (4.6) and the ridge bar (4.7). An extra bolt should be inserted into each glazing bar (1355) at this time to connect roof braces (1356). Additionally, insert in 2 of the roof glazing bars (1355) an extra bolt, where the roof vent(s) will be positioned later.

The roof braces (1356) can now be connected (4.7).

Connect the door runner bar (1334) to steel base lengths (9042) and (9043) using bolts (1001) inserted into the (1334) bolt channel (4.3).

Adjust the greenhouse until it is completely

square and tighten all bolts.

**Please do not over tighten. (max. 3Nm)**

Connect the door runner support (1357) to the door runner bar (1347) (4.8) and to the gable end using bolt (4201) and spacer (1310) (4.9). Press the end protectors (1017) and (1018) onto the profile ends (4.10).

## 5. DOOR

**Attention: Do not stand the assembled door on the door gliders (1014) to avoid damaging them.**

Push the door gliders (1014) onto both ends of door bar (1360) (5.1).

Assemble the door as shown in diagram 5.

Bolt door bar (1362) to upper bar (1359) (5.3) and slide door seals (3021) into the both side bars (1350) (5.5). Slide bolts (1500) into the bottom of the bolt channel holding brush seals (3021) and fix it in place using nut (1515) (5.6). Cut the door seals (3021) to length.

Connect door rollers (1015) to the door bar (1362) using bolt (1304), washer (1009) and nut (1007) (5.4).

Now slide the door rollers into the door runner bar (1347) (5.7). Please ensure that the door gliders are also running on the bottom track (5.8). Once the door is correctly in place, connect a nut and bolt into the end of door runner bar (1347) as door stopper.

Adjust the door so that it moves freely.

## 6. ROOF VENTS

Connect the side bars (1065) and the top bar (1064) depending on the pane thickness. Up to 4 mm, see (6.1). For 4 mm and over, see (6.2).

Place the bolts to connect the bottom bar (1066) in the prepared holes, and then slide the glass into the tracks in side bars (1065) (6.3).

Now connect bottom bar (1066), and ensure that the window is totally square before tightening all bolts.

Position the window in the ridge bar from one end (6.4) and (6.5) and slide it to the required position (6.6).

Connect the window sill (1063) with the extra bolts in the roof glazing bars (6.7). If the window is connected in a corner position, then it is necessary to use bolt (2001), instead of (1001), on the corner bar.

Connect the window opener (1067) to the bottom bar (1066) (6.7) using screws (1006) (6.8). Place the plastic cap (1019) over the end of the window opener (6.6) and connect both window fixers (1016) onto the window sill (1063) using screws (1006) (6.8).

## 7. GLAZING – CLEAR GLASS

**Please note the already mentioned safety precautions.**

Press the glazing seals (1020) onto the aluminium profiles (7.3) and cut to length.

On the roof begin by positioning the glass at the eave and fix in place using the glazing spring clips (1011) (7.2). The following pane should be placed over the pane directly under it and held in place with the glass retaining clips (1012) between the panes (7.1).

On the sides please begin from the bottom.

If you've chosen polycarbonate sheets instead of glass panes, please use the instruction included in the box with the polycarbonate sheets.

## FINISHING

Fill the holes for the anchor legs with concrete.

The steel base should be connected to the foundation using screws and plugs (not provided).

If desired, it is possible to seal the greenhouse at the edges using neutral silicone. Silicone is not included.

Place the warning label inside the house.

A full range of accessories is available to help you make the most of this product. Please contact your local stockist for details.

## SAFETY NOTICE

In the event of high winds, close all doors and vents.

In the event of heavy snowfall, clear the roof of the building or take suitable measures to support the roof. Heat the building in winter.

## COMMENTS

For the complete protection of your new greenhouse, we advise you to include it in your house insurance. Please take note of possible building rules relating to the positioning of greenhouses.

Please stick the greenhouse model label provided onto the door bar (1362) after successfully assembling this product. This information is important in the event that replacement parts are later required.

Please keep these Assembly Instructions in a safe place, for future reference!

Our policy is one of continuous improvement and we reserve the right to change the specifications without prior notice.

# Sicherheitsvorkehrungen

## 1. BITTE LESEN SIE DIESE MONTAGEANLEITUNG VOR BEGINN DES AUFBAUS KOMPLETT DURCH!

- Bei der Handhabung von Glas, Polycarbonatplatten oder Gewächshausteilen sind immer eine Schutzbrille, Handschuhe, Sicherheitsschuhe und ein Kopfschutz zu tragen, da scharfe Kanten zu Verletzungen führen können. Gebrochenes Glas ist ein Sicherheitsrisiko. Beseitigen Sie es mit der gebotenen Vorsicht.
- Das von Ihnen erworbene Produkt ist für die Aufzucht von Pflanzen konstruiert und sollte auch ausschließlich dafür genutzt werden. Bei anderweitiger Nutzung ist jegliche Haftung ausgeschlossen.
- Für die Montage dieses Produktes sind zwei Personen erforderlich.
- Sollten Sie beim Montieren des Hauses oder beim Einsetzen der Verglasung Schwierigkeiten haben, dann setzen Sie sich bitte mit Ihrem Händler in Verbindung – **Wenden Sie keine Gewalt an!**
- Das Gewächshaus muss verankert werden.

## Aufbaubeschreibung

### STANDORTWAHL

Suchen Sie den sonnigsten, aber gleichzeitig einen windgeschützten Platz aus.

### WICHTIG

Bevor Sie mit der Montage Ihres Gewächshauses beginnen, überprüfen Sie, ob alle in der Liste aufgeführten Teile vorhanden sind. Nehmen Sie die einzelnen Bündel aus der Verpackung, um sie besser identifizieren zu können.

Es ist wichtig, dass die geöffneten Bündel nicht durcheinander geraten.

„Leerschraube“ = Schraube und Mutter für die spätere Befestigung von Teilen, vorerst ohne sichtbare Funktion.

Fehlt etwas, dann setzen Sie sich bitte mit Ihrem Lieferanten in Verbindung.

**Muttern (1002) mit max. 3Nm anziehen.**

### BENÖTIGTE WERKZEUGE

Schraubendreher (Schlitz und Kreuzschlitz PH2), 1 Schraubenschlüssel 10 mm, Ring-Gabelschlüssel, Messer, Zollstock, Wasserwaage, Akku-Schrauber mit einstellbarem Drehmoment.

### WARTUNG

Das Gewächshaus sollte hin und wieder gründlich mit einer neutralen Waschmittellaugung abgewaschen werden. Das Glas kann mit einem Reinigungsmittel gesäubert werden, das weder Kunststoffteile, den Aluminiumrahmen, noch die Glasfederklammern angreift. Reinigen Sie regelmäßig die Türlaufschiene.

### 0A. FUNDAMENT

**Wichtig!** Das Fundament muss absolut rechteckig und eben sein.

**(Achtung!** Nur wenn das Gewächshaus an einer sehr ungeschützten und windigen Stelle aufgebaut werden muss: Durchbohren Sie die

Grundprofile und das Stahlfundament und verschrauben Sie beide mit Schrauben und Muttern miteinander)

Wenn Sie ein Fundament aus Stein oder Beton fertigen, dann richten Sie sich bitte nach den Maßangaben im Abschnitt 0A. Beachten Sie bitte, dass bei Verwendung der Verankerungswinkel (9001) Löcher an den bezeichneten Punkten (C) ausgespart werden müssen.

Das Fundament muss frostfrei gegründet werden.

**Alle Zeichnungen sind von der Innenseite des Hauses gesehen abgebildet, mit Ausnahme der Abbildungen, die in einem Doppelrahmen dargestellt sind. Diese beschreiben die Außenansicht.**

### 0B. STAHLFUNDAMENT

Ein verzinktes Stahlfundament wird mitgeliefert. Wir empfehlen die Verwendung von Verankerungswinkeln (9001). Füllen Sie die für die Verankerungswinkel vorbereiteten Löcher erst, nachdem das Haus komplett aufgebaut ist.

Die Teile wie abgebildet verschrauben mit Schrauben (1001) und Muttern (1002).

**Wichtig!** Stellen Sie sicher, dass der Abstand zwischen den Fundament-Innenseiten (9042) und (9043) 634 mm beträgt, wie in der Zeichnung angegeben.

Die Enden der Verankerungswinkel biegen, um eine sichere Verankerung im Beton zu erhalten. Das fertige Stahlfundament auf das vorbereitete Streifenfundament legen.

**Achtung!** Der Beton sollte erst gegossen werden, wenn das Haus vollständig montiert ist.

### 1. SEITENTEILE

Alle Teile auf dem Boden auslegen und lose verschrauben.

### 2. GIEBELENDE OHNE TÜR

Auch diese Teile auf dem Boden auslegen und lose verschrauben.

In jede senkrechte Verglasungsleiste (1341 u.

1342) eine Leerschraube einfügen (2.2).

### 3. GIEBELSEITE MIT TÜR

Wiederum die Teile auf dem Boden ausbreiten und lose verschrauben.

Die Türlaufschiene (1347) wird an der waagrecht über der Tür liegenden Schiene (1348) angebracht. Verschrauben Sie diese von außen lose mit zwei Schrauben und Muttern.

Je nachdem, in welche Richtung Sie die Tür öffnen wollen, richten Sie die Türlaufschiene (1347) nach rechts oder links aus.

### 4. ZUSAMMENBAU DER EINZELNEN ELEMENTE

Montieren Sie die Wände auf dem Stahlfundament und mittels Klammern (9002) lose mit dem Fundament verschrauben. (4.2) (4.3) (4.4).

Die Seitenteile mit den Giebelseiten verschrauben (4.1/4.2).

Die Diagonalen (1333) wie in (4.1) und (4.4) dargestellt anbringen.

Den Dachfirst montieren (4.5). Jetzt die Dachstreben (1355) mit dem Dachfirst und den Traufen verschrauben (4.6/4.7). In jede Dachstrebe (1355) je 1 Leerschraube einfügen. Zusätzlich bei jeweils 2 Dachstreben (1355) je da eine Leerschraube hinzugeben (4.7), wo später das Dachfenster eingesetzt werden soll. Versteifung (1356) wie in (4.7) dargestellt anbringen.

Die Türlaufschiene (1334) mit den langen Stahlfundament-Profilen (9042) und (9043) mittels der zuvor in den Schraubenkanal (1334) geschobenen Schrauben (1001) verschrauben. (4.3)

Jetzt prüfen, ob das Haus absolut rechteckig ist, sonst entsprechend verrücken. Anschließend die Schrauben fest anziehen.

**Die Schrauben müssen fest, aber nicht zu fest angezogen werden. (max. 3Nm)**



Die Stütze (1357) der Türlaufschiene (1347) mit der Giebelseite verschrauben (4.8). Im unteren Bereich verschrauben Sie die Türstütze mit der Schraube (4201) und dem Abstandsstück (1310)(4.9).

Die Schutzkappen (1017/1018) auf die Profilenden drücken (4.10).

## 5. TÜR

**Achtung: Niemals die montierte Tür auf die Türgleiter (1014) stellen, damit sie nicht beschädigt werden!**

Die Türgleiter (1014) an den Enden in das Türprofil (1360) hineindrücken (5.1).

Die Türelemente, wie in Abbildung 5 gezeigt, zusammenschrauben.

Verschrauben Sie das Türprofil (1362) mit dem oberen Türprofil (1359) (5.3) und ziehen Sie die Türdichtungen (3021) in die senkrechten äußeren Streben der Tür ein (1350)(5.5). Führen Sie die Schrauben (1500) in den unteren Schraubenkanal, der die Bürstendichtungen (3021) hält, ein und verschrauben sie an dieser Stelle mit den Muttern (1515) (5.6). Schneiden Sie die Türdichtungen (3021) auf Länge.

Die Türrollen (1015), wie in (5.4) gezeigt, mittels der Schrauben (1304), Unterlegscheiben (1009) und Muttern (1007) mit dem Türoberteil (1362) verschrauben.

Die Türrollen werden in die Türschiene (1347) hinein geschoben. Es muss sichergestellt werden, dass die unteren Türführungen gemäß Abbildung (5.8) eingeführt werden.

Nachdem Sie nach Schritt 5 die Tür eingesetzt haben, setzen Sie eine Schraube und Mutter als Türstopper an der offene Enden der Türschiene (1347).

Die Tür so einstellen (5.7), dass sie reibungslos läuft.

## 6. DACHFENSTER

Das Dachfenster entsprechend der Abbildung zusammenschrauben. Die Seitenrahmen (1065) mit dem Dachfensteroberteil (1064) verschrauben. Bei einer Verglasung dünner als 4 mm wie (6.1), bei einer Verglasung 4 mm oder dicker wie (6.2).

Das Glas in die Seitenrahmen (1065) hinein schieben (6.3), aber vorher Schrauben in die Bohrungen der Seitenrahmen hineinstecken.

Jetzt das untere Fensterprofil (1066) mit den Seitenrahmen verschrauben.

**Achtung: Das Fenster muss rechtwinklig sein.**

Das Dachfenster in den First vom Firstende aus einführen und das Fenster in die vorgesehene Stellung bringen (6.4/6.5/6.6).

Die Dachfensterschwelle (1063) entsprechend (6.7) mit den vorhandenen Leerschrauben festschrauben. Wird das Fenster an einem Außenfeld montiert, benötigen sie an dem Außenprofil anstelle der Schraube (1001) die

Schraube (2001). Den Dachfensteraufsteller (1067) mit dem unteren Fensterprofil verschrauben. Hierbei werden die Schrauben (1006) verwendet (6.8).

Die vorhandene Gummikappe (1019) über das untere Ende des Dachfensteraufstellers streifen (6.6). Die beiden Einrastzapfen (1016) auf der Dachfensterschwelle mit den Schrauben (1006) festschrauben (6.8).

## 7. VERGLASUNG BLANKGLAS

**Bitte beachten Sie die oben erwähnten Sicherheitsvorkehrungen.**

Drücken Sie die Glasdichtung (1020) auf die Alu-Profile (7.3) und schneiden Sie sie entsprechend auf Länge.

Beginnen Sie mit der Verglasung im Dachbereich an der Traufe und benutzen Sie hierzu die Glasfederklammern (1011) (7.2).

Die folgende Scheibe sollte über die direkt darunter liegende Scheibe platziert werden mit den Glashalteklammern (1012) zwischen den Scheiben (7.1).

Beginnen Sie mit der Verglasung der Seiten bitte von unten.

**Wenn Sie das Gewächshaus mit Hohlkammerplatten verglasen, richten Sie sich bitte nach dem Verglasungsplan, der den Hohlkammerplatten beiliegt.**

## DIE LETZTEN HANDGRIFFE

Füllen Sie die Löcher für die Verankerungswinkel mit Beton.

Das Stahlfundament mit Schrauben und Dübeln (nicht im Lieferumfang enthalten) mit dem Streifenfundament verbinden.

Wenn Sie es wünschen, können Sie das Gewächshaus an den vorhandenen Fugen mit neutral vernetzendem Silikon abdichten. Das Silikon gehört nicht zum Lieferumfang.

Den beiliegenden Warnungsaufkleber von innen aufkleben.

Ihr Lieferant hält ein reichhaltiges Sortiment an Gewächshaus-Zubehör für Sie bereit. Sprechen Sie ihn an.

## SICHERHEITSHINWEIS

Bei starkem Wind sollten alle Öffnungen und die Tür geschlossen werden.

Dächer von Gewächshäusern sind so rechtzeitig von Schnee zu räumen, dass keine gefährliche Schneebelastung eintreten kann.

Beheizen Sie das Gewächshaus im Winter.

## ANMERKUNGEN

Zum vollen Schutz des Gewächshauses empfehlen wir, es mit in Ihre **Hausversicherung** einzuschließen. Beachten Sie eventuell vorhandene örtliche Bauvorschriften.

Den mitgelieferten Typaufkleber nach erfolgter Montage des Gewächshauses auf das Radgehäuse (1362) kleben.

Die Typbezeichnung benötigen Sie zur Angabe bei der Bestellung evtl. benötigter Ersatzteile. Bitte heben Sie die Montageanleitung auf!

Alle Maßangaben sind Annäherungswerte. Änderungen vorbehalten.

# Veiligheidsvoorschriften

## 1. LEEST U EERST DE GEHELE INSTRUCTIES DOOR ALVORENS TE BEGINNEN MET DE OPBOUW VAN DE KAS.

1. Draag altijd handschoenen als u met glas, polycarbonaat platen of aluminium werkt, deze kunnen scherpe hoekjes en/of randen hebben die tot verwondingen kunnen leiden. Indien glas gebroken is dient u het veilig en meteen op te ruimen.
2. Het product dat u heeft gekocht is alleen bestemd voor het kweken van planten. Wanneer deze voor andere doeleinden zal worden gebruikt dragen wij hier geen verantwoordelijkheid voor.
3. Wij raden u aan de kas met twee personen in elkaar te zetten.
4. Mocht u problemen hebben het glas of polycarbonaat platen in te passen, neem dan contact op met uw leverancier. **Gebruik geen geweld.**
5. De kas moet altijd worden verankerd.

## Montage Instructies

### KIEZEN PLAATS

Probeer altijd een zonnige plaats te kiezen die zoveel mogelijk tegen wind beschermt is.

### BELANGRIJK

Controleer a.u.b. of u alle onderdelen op de meegeleverde lijst hebt voordat u begint aan het in elkaar zetten van uw nieuwe kas. Haal a.u.b. elk pakket uit de doos om de onderdelen beter te identificeren.

Het is belangrijk dat de open pakketten niet door elkaar gehaald worden.

Als er onderdelen ontbreken, neem dan a.u.b. contact op met uw leverancier.

**Moertjes (1002) - Max. aanhaalmoment 3Nm.**

### VEREISTE GEREEDSCHAPPEN

Schroevendraaiers (normale en kruiskop PH2), een 10 mm moer- of steeksleutel, een 10 mm combinatiesleutel, mes, maatstok, waterpas, accuboormachine met instelbaar moment.

### ONDERHOUD

Om uw kas schoon te houden dient deze af en toe grondig gereinigd te worden met een zacht reinigingsmiddel. Zorg er a.u.b. voor dat het reinigingsmiddel niet het aluminium aantast of de beglazingsclips.

Om te voorkomen dat zich vuil ophoopt in de deurrails, zal men deze regelmatig moeten schoonmaken.

### 0A. FUNDERING

**Belangrijk!** Let op dat de fundering haaks en waterpas staat.

**(Attentie!** Alleen als de kas op een erg windrijge en onbeschermd plaats staat dan moet u de kas en de fundering aan elkaar maken. Door middel van gaatjes te boren door de profielen en deze aan elkaar te maken met behulp van moertje en boutjes.)

Als u liever uw eigen stenen of betonnen fundering wilt gebruiken, volg dan a.u.b. de afmetingen in diagram 0A.

Als u ervoor kiest om de bij de stalen fundering geleverde verankeringspoten te gebruiken, maak dan een gat op elk punt dat met C is gemarkeerd. Deze worden met beton gevuld nadat de montage van de kas voltooid is.

De fundering moet tot beneden de vorstgrens zitten.

**Op de tekeningen met het enkelvoudige frame wordt de binnenkant van de kas getoond. Op de tekeningen met het dubbele frame wordt de kas van de buitenkant bekeken.**

### 0B. STALEN FUNDERING

Er wordt bij de kas een gegalvaniseerde fundering geleverd.

Wij adviseren om de verankeringspoten (9001) te gebruiken.

Assembleer de onderdelen zoals aangegeven staat met boutjes (1001) en moertjes (1002).

**Belangrijk!** Zorg ervoor dat er zoals aangegeven een ruimte van 634 mm overblijft tussen de binnenkanten van de lange kanten van de fundering (9042) en (9043) vóór de kas.

Buig de uiteinden van de verankeringspoten om een stevige verbinding met het beton te krijgen.

Plaats de voltooide fundering op het voorbereide fundament.

**(Attentie!** Het beton moet worden gestort nadat de kas volledig in elkaar is gezet.)

### 1. ZIJKANTEN

Leg alle onderdelen uit op de grond en schroef ze losjes aan elkaar.

### 2. ACHTERGEVEL

Leg alle onderdelen uit op de grond en schroef

ze losjes aan elkaar.

Breng a.u.b. een extra verbindingbout aan in elk profiel (1341) en (1342) om de schoor (1335) (2.2) te monteren.

### 3. DEURGEVEL

Leg alle onderdelen uit op de grond en schroef ze losjes aan elkaar.

Het deurrailprofiel (1347) wordt vastgemaakt aan het horizontale profiel (1348). Verbind deze twee losjes vanaf de buitenkant met twee schroefjes en boutjes.

Richt het deurrailprofiel (1347) naar links of naar rechts uit, afhankelijk van de richting waarin de deur moet opengaan.

### 4. HET SAMENVOEGEN VAN DE LOSSE ELEMENTEN

Monteer de structuur van de ondergrond uit staal en sluit losjes met behulp van clips (9002) (4.2) (4.3) (4.4).

Schroef de zijkanten aan de beide gevels. (4.1) & (4.2).

Verbind de zijschoren (1333) tussen de nokbalk en de dorpelprofielen (4.1) & (4.4).

Bevestig de nokbalk aan beide kopgevels. (4.5).

Verbind nu de dakprofielen (1355) tussen de zijkanten (4.6) en de nokbalk (4.7). Er moet nu een extra boutje worden toegevoegd aan elk dakprofiel (1355) om de dakschoren (1356) te verbinden. Voeg bovendien een extra boutje toe in 2 van de dakprofielen (1355) op de plaats waar later het/de dakraam/dakramen worden geplaatst.

Nu kunnen de dakschoren (1356) worden verbonden (4.7).

Verbind het deurrailprofiel (1334) met in het (1334) boutkanaal (4.3) gestoken boutjes (1001) met de lange zijden van de staalfundering (9042) en (9043).



Kijk na of de kas volledig haaks en waterpas staat en draai alle moertjes stevig aan.

### **Belast de moertjes niet met teveel kracht bij het aandraaien. (max. 3Nm)**

Bevestig het steunprofiel (1357) met het deur-railprofiel (1347) (4.8) en de gevel met behulp van bout (4201) en afstandsbus (1310) (4.9)

Duw de eindbeschermers (1017) en (1018) op de hoeken (4.10).

## **5. DEUR**

### **Attentie: Zet de gemonteerde deur niet op de deurgeleiders (1014), dit om beschadiging te voorkomen.**

Duw de deurgeleiders (1014) in beide kanten van het deurprofiel (1360) (5.1).

Assembleer de deur zoals in diagram 5.

Schroef het deurprofiel (1362) aan het bovengelegen profiel (1359) (5.3) en schuif de deurrubbers (3021) in de beide zijprofielen (1350) (5.5). Schuif bouten (1500) in de onderkant van het boutkanaal met borstelrubbers (3021) en zet deze vast op hun plaats met een moer (1515) (5.6). Snij de deurrubbers (3021) op de juiste lengte.

Verbind de deurwielletjes (1015) met boutje (1304), ringetje (1009) en moer (1007) aan het deurprofiel (5.4).

Schuif nu de deurwielletjes in het deurrailprofiel (1347) (5.7). Zorg ervoor dat de deurgeleiders aan de onderkant ook in de geleiding lopen (5.8). Als de deur eenmaal op de goede plaats zit, dan kunt u door middel van een moertje en een boutje op het einde van het deurrailprofiel (1347) een deurstop creëren.

Plaats de deur zodat hij soepel loopt.

## **6. DAKRAMEN**

Bevestig de zijprofielen (1065) aan het topprofiel (1064), afhankelijk van de dikte van het glas.

Tot 4 mm, zie (6.1). Voor 4 mm en hoger, zie (6.2).

Plaats de boutjes in de voorgeboorde gaatjes om het onderprofiel (1066) te verbinden. Schuif dan het glas in de zijprofielen (1065) (6.3).

Verbind nu het onderprofiel (1066) en zorg er voor dat het raam recht zit alvorens alle boutjes aan te draaien.

Positioneer het raam in de nokbalk vanaf een kant (6.4)(6.5), en schuif het in de juiste positie. (6.6)

Monteer het kalfje (1063) met de extra boutjes aan de dakbeglazingsprofielen (6.7). Als het raam in een hoek wordt verbonden, moet boutje (2001), in plaats van (1001), op het hoekprofiel worden gebruikt.

Verbind de raamopener (1067) met het onderprofiel (1066) (6.7) door middel van schroeven (1006) (6.8). Bevestig beide raamuitzetpinnen (1016) op het kalfje (1063) door middel van de

schroeven (1006)(6.8). Plaats dan het plastic dopje (1019) over het eind van de raamopener (1067).

## **7. BEGLAZING – BLANK GLAS**

### **Denk u alstublieft aan de al eerder genoemde veiligheidsregels voor het werken met glas.**

Duw het rubberen beglazingsprofiel (1020) op de aluminium profielen (7.3) en snij het op de juiste lengte.

Begin op het dak met het positioneren van het glas in de nokbalk en zet het daarna vast met de clips (1011) (7.2). De volgende glasplaat moet precies over de direct eronder liggende glasplaat worden geschoven en op zijn plaats worden gehouden met de Z-clips (1012) tussen de platen in (7.1).

Begin onderaan bij het beglazen van de zijwanden.

### **Als u polycarbonaat platen in plaats van glasplaten hebt gekozen, volg dan a.u.b. de instructie die in de doos bij de polycarbonaat platen zit.**

## **AFWERKING**

Vul de gaten voor de verankeringspoten met beton.

De stalen fundering moet door middel van schroeven en pluggen (niet meegeleverd) aan het fundament worden vastgemaakt.

Desgewenst kan de kas aan de randen worden afgedicht met neutrale siliconenkit. Silicone is niet inbegrepen.

Plaats het waarschuwingslabel aan de binnenkant van de kas.

Er is een compleet assortiment accessoires beschikbaar om dit product ten volle te benutten. Voor meer informatie kunt u contact opnemen met uw leverancier.

## **VEILIGHEIDSREGELS**

Sluit bij zware wind altijd alle deuren en ramen.

Houd bij zware sneeuwval het dak van de kas vrij of zorg voor een goede ondersteuning van het dak. Verwarm de kas in de winter.

## **COMMENTAAR**

Voor de gehele bescherming van uw nieuwe kas raden wij u aan om deze op te nemen in uw opstalverzekering. Denk er ook aan dat de kas aan alle bouwweisen moet voldoen en houd ook rekening met de plaats van de kas.

Plak alstublieft de sticker van het kasmodel op het deurprofiel (1362) nadat de kas succesvol is geïnstalleerd. Deze informatie is belangrijk voor het vervangen van onderdelen in de toekomst.

Bewaar deze assemblage-instructies a.u.b. op een veilige plek zodat u deze nog altijd kunt nalezen!

Ons beleid is gebaseerd op het continu verbeteren van onze producten en hierdoor behouden wij ons het recht voor om modellen te veranderen zonder verdere berichtgeving.

1. VENLIGST LÆS DENNE MONTAGEVEJLEDNING INDEN DE GÅR I GANG MED SAMLING AF DERES DRIVHUS.
  2. De bør **altid** bruge handsker, når De arbejder med polycarbonat eller glas. Skarpe kanter kan forårsage skader. Der kan også forekomme skarpe kanter på hjørner og kanter af aluminiumsprofiler. Itugået glas udgør en sikkerhedsrisiko. Er uheldet ude, bør De straks fjerne skårene under agtpågivenhed. Her bør De også bære handsker.
  3. Dette produkt er konstrueret som et drivhus beregnet til planteavl og er som sådan ikke konstrueret til at være helt tæt, da det er nødvendigt med udluftning bl.a. for at undgå kondensdannelse. Såfremt De ønsker at anvende drivhuset som et "uderum/stue" eller lignende, gør vi udtrykkeligt opmærksom på, at drivhuset ikke er 100 % vandtæt, og at vi ikke påtager os noget ansvar for eventuelle skader på løsøre el. lign., der er anbragt i drivhuset.
  4. Til montage af dette produkt kræves 2 personer. Ved anvendelse af trappestige bør stigen under brug sikres af en person.
  5. Skulle De få problemer med drivhusmontagen eller med glasisætningen, bedes De kontakte Deres forhandler – **anvend ikke vold!**
  6. Den vedlagte selvklæbende identifikationsetiket anbringes indvendigt i drivhuset – f.eks. indvendig på døren eller lign. Oplysningerne på etiketten vil gøre det meget lettere for Dem at fremskaffe reservedele, såfremt dette skulle blive aktuelt.
  7. Drivhuset bør gøres forsvarligt fast til undergrunden, se afsnit 0B.
- Vi ønsker Dem god arbejdslyst og håber, at De får rigtig mange gode stunder med og i Deres Vitavia drivhus.

## Montage

Når De har læst denne vejledning opfordrer vi Dem til at besøge vor hjemmeside på [www.vitavia.dk](http://www.vitavia.dk)

Her kan De finde gode råd, downloade vejledninger og desuden se instruktionsvideoer, der viser samling af Vitavia drivhuse.

### PLACERING

Vælg et solrigt sted, hvor der er mest mulig læ. Vær endvidere opmærksom på, at ved placering i nærheden af høje bygninger, træer mv. kan der opstå turbulens ved kraftig blæst. En sådan placering bør derfor undgås.

### VIGTIGT

Før De begynder at samle Deres drivhus, kontroller venligst efter indholdsfortegnelsen, at alle dele er medleveret. Tag de enkelte bundter ud af kassen for bedre at kunne kontrollere indholdet.

Det er vigtigt ikke at blande de åbnede bundter.

Hvis der mangler noget, kontakt venligst Deres forhandler.

### NØDVENDIGT VÆRKTØJ

Almindelig skruetrækker, skruetrækker (bits) PH2 og PZ2, 10 mm fastnøgle/topnøgle, 10 mm ring/gaffelnøgle, målebånd og loddestok/vaterpas, hobbykniv, skævbider, trappestige 1,80 m.

Akku-skruemaskine med moment.

**NB!** Såfremt De anvender en akku-maskine til samling af bolte og møtrikker, må momentet maksimalt være 3 Nm.

### VEDLIGEHOJDELSE

Drivhuset bør lejlighedsvis rengøres grundigt med et mildt vaskemiddel, f.eks. Vitavia drivhusrens. Glasset kan rengøres med et hvilket som helst rengøringsmiddel, der ikke skader aluminiumsprofiler eller kunststof.

Dørskinnerne bør regelmæssigt rengøres og smøres med stearin/grafitolie.

### 0A. FUNDAMENT

**Vigtigt!** Anvend et vaterpas til at kontrollere, at soklen er vandret. Vær omhyggelig med at sikre, at krydsmålene er ens som vist på tegning 0. Derved sikres at alle vinkler er 90°.

**NB!** Skal drivhuset placeres et vindudsat sted, anbefaler vi, at man borer hul igennem bundskinnen og stålsoklen og bolter disse sammen med bolte og møtrikker).

Dette gøres ud for de lodrette profiler i sider og gavle.

Ønsker De selv at bygge et sten- eller betonfundament, følg da dimensionerne, som er vist i afsnit 0A. Fastgør en trykimprægneret træliste mellem fundamentet og bundskinnen på drivhuset som vist. Materialer til dette indgår ikke i leverancen.

Ved støbning af fundament bør dette gå ned i frostfri dybde. Derved reduceres risikoen for, at der opstår skader på huset som følge af frostpåvirkninger af jorden.

**NB!** Støbning/fastgørelse til undergrunden er i mange tilfælde et krav fra forsikringselskaber for at opnå forsikringsdækning på drivhuset. Vi anbefaler, at De kontakter Deres forsikringselskab for at høre om reglerne, der er gældende hos Deres selskab.

**Alle tegninger af drivhuset er set indefra, undtagen de tegninger, hvor der er dobbeltstreg udenom. Disse er set udefra.**

### 0B. STÅLSOKKEL

Der medfølger en el-galvaniseret stålsokkel til drivhus model VM0036-AP.

Vi anbefaler, at De anvender de medfølgende nedstøbningsbeslag (9001), uanset om De monterer drivhuset på en plan/helstøbt flade, eller om De vælger at foretage punktstøbning. Fra vores hjemmeside [www.vitavia.dk](http://www.vitavia.dk) kan De downloade en udførlig vejledning i punktstøbning.

Saml delene til soklen som vist ved hjælp af bolte (1001) og møtrikker (1002).

Hvis De vælger at foretage punktstøbning an-

befaler vi, at De i hvert af de 4 hjørner som vist på tegning 0B, graver/borer et hul ned til frostfri dybde (50-90 cm afhængigt af lokale forhold). Som beskrevet i punktstøbningsvejledningen bøjes flapperne på nedstøbningsbeslagene, så de kan danne modhold i cementen.

Anbring den samlede stålsokkel på det klargjorte underlag/punktstøbningsstederne.

**VIGTIGT!** Sørg omhyggeligt for, at der er 634 mm afstand med sokkel 9042 og 9043 i drivhusets dør-gavl som vist på tegning 0B.

### 1. SIDER

Placer delene på jorden og bolt dem løst sammen, se (1.1) til (1.3).

### 2. GAVL UDEN DØR

Placer delene på jorden og bolt dem løst sammen. Anbring en ekstra bolt i hver af de lodrette glasprofiler (1341/1342), se (2.2.) til fastgørelse af tværstiver (1335).

### 3. GAVL MED DØR

Placer delene på jorden som tidligere og bolt dem løst sammen.

Fastgør skydedørsskinnen (1347) til gavlens spær (1348). Monter løst udefra med to bolte og møtrikker.

Alt efter i hvilken retning De vil åbne døren, tilpasser De dørglideskinnen (1347) til højre eller venstre.

Monter hjørnesamlingsbeslag (1342) som i (3.2).

### 4. SAMLING

Det samlede drivhus placeres nu på den klargjorte stålsokkel og fastgøres løst til soklen ved hjælp af sokkelkroge (9002), se (4.2), (4.3) og (4.4).

Fastgør de to sideelementer til for- og baggavl

(4.1) og (4.2).

Monter tagryggen (4.5).

Bolt tagspær (1355) sammen med tagrende (4.6) og tagryg (4.7).

Husk en ekstra bolt i hver tagspær til senere montage af hanebånd (1356). Husk desuden at anbringe en bolt yderligere i de tagspær i mellem hvilke, der senere skal monteres et tagvindue.

Hanebånd (1356) anbringes som vist (4.7).

Når drivhuset er færdigsamlet kan yderligere sikring foretages som omtalt i afsnit 0A.

Forbind løst dørkøreskinne (1334) med sokkeldel (9142) og (9143), vist på tegning 0B2, ved at anbringe bolte (1001) i sporet på dørkøreskinnen (1334), se (4.3).

Kontroller at drivhuset er retvinklet og i vater og stram derefter alle skruer og bolte.

**Skrueerne skal skrues fast - men ikke for fast (max. 3Nm).**

Dørstøtten (1357) forbindes med dørkøreskinne (1347) med bolt (1001), skive (6060) og møtrik (1002), se (4.8).

Beskyttelseshætterne (1017) & (1018) trykkes på profilerne (4.10).

## 5. DØR

**NB!** Undgå at stille den samlede dør på dør-gliderne (1014).

Døren samles som vist på den store tegning 5.

Tryk dørslider (1014) fast på enderne af dørprofil (1360), se (5.1).

Skrue dørhjul (1015) på køreskinnen (1362) med bolt (1304), skive (1009) og møtrik (1007) (5.4).

Hjulskinne (1362) skrues på øverste dørskinne (1359) (5.3).

Monter tætningslister (3021) i de yderste lodrette dørprofiler (1350), se (5.5).

Anbring bolt (1500) foruden i sporet på den lodrette dørprofil (1350) til at holde tætningsliste (3021) på plads. Fastgør bolt (1500) med møtrik (1515) (5.6). Tætningslisten (3021) tilpasses i længden.

**NB!** Det er vigtigt at vende dørhjul (1015) som vist på (5.7).

Skyd dørens hjul på skydedørsskinne. Husk at kontrollere, at den nederste dørprofil sidder på skinne (1334) som vist i (5.8).

Når døren er monteret, isættes en bolt og møtrik som dørstopper for enden af dørskinnen (1347).

Juster hjulskinnen, så døren kører let (5.7).

## 6. TAGVINDUE

Skrue tagvinduet sammen som vist på illustrationen.

Skrue begge sidestykker (1065) på vinduets topskinne (1064). Er glasset tyndere end 4 mm, anvendes metoden vist i (6.1), og er 4 mm eller tykkere, anvendes metoden vist i (6.2).

Skyd glasset ind i sidestykkerne (6.3), men kom bolte i først. Monter og fastgør vinduets nederste sprosse (1066) til sidestykkerne. Kontroller at vinduets ramme er i vinkel og stram alle bolte.

Skyd vinduet ind i tagrygsprofilen og anbring i den ønskede position (6.4/6.5/6.6).

Placer vinduets underkarm mellem tagets glasprofiler og gør den fast med de allerede monterede bolte (6.7) og juster i forhold til vinduet. Skal vinduet monteres i et yderområde, anvendes file bolt (2001) i yderprofilen i stedet en almindelig bolt (1001). Monter vinduets udskyderstang (1067) på vinduets nederste sprosse og fastgør ved hjælp af skrue (1006) (6.8).

Plastichætte (1019) skubbes ind over nederste del af udskyderstangen (1067), se (6.6).

Monter begge pløkker (1016) på vinduets underkarm (1063) med skrue (1006) som i (6.7) og (6.8).

## 7. MONTERING AF GLAS/POLYCARBONAT

**Bemærk venligst ovennævnte sikkerhedsforanstaltninger.**

Anbring gummiiste (1020) på alle glasprofiler og skær til den rette længde som vist i (7.3).

**Tip!** Hvis det er koldt, kan det være svært at montere gummiisten, men denne kan blødgøres i en spand varmt vand tilsat lidt opvaskemiddel.

Læg glas/polycarbonatplader i taget ved hjælp glasclips (1011) (7.2) og glasholdere (1012) (7.1) som vist i glasplanen. Husk at begynde nedefra.

**Bemærk:** Polycarbonatplader er gennemgående i de enkelte glasfelter. De skal derfor ikke bruge glasholdere (1012) ved montering af polycarbonatplader.

Sæt glas i resten af drivhuset som vist i glasplanen.

Hvis De har købt et drivhus med polycarbonat i stedet for glas, anvendes monteringsvejledningen, der ligger sammen med polycarbonatpladerne.

Polycarbonatpladerne er gennemgående i de enkelte glasfelter.

**Bemærk:** Der kan være landespecifikke måder at montere polycarbonatplader på, så check vejledningen, der leveres med polysættet.

## FÆRDIGGØRELSE

Såfremt De har gravet/boret huller til nedstøbning af soklens nedstøbningsbeslag fyldes cement/beton i hullerne. Sikr, at drivhuset fortsat står i lod og vater.

Hvis drivhuset skal stå på en flisebelægning fastgøres stålsoklen nu til underlaget ved hjælp af skrue og rawlplugs (ikke medleveret).

Hvis De ønsker at tætte hjørner og samlinger kan dette gøres med silikone (ikke inkluderet).

Vær dog opmærksom på, at jo tættere huset er, jo mere kondens vil der blive dannet.

Den vedlagte selvklæbende identifikationsetiket kan med fordel anbringes indvendigt i drivhuset. Oplysningerne på etiketten vil gøre det meget lettere for Dem at fremskaffe reservedele, såfremt dette skulle blive aktuelt.

Ca. 2 uger efter færdiggørelse kontrolleres det, at alle møtrikker er spændt korrekt.

Vitavia tilbyder et stort tilbehørsprogram, der gør det let at få optimalt udbytte af drivhuset.

Kontakt Deres forhandler for yderligere oplysninger eller læs mere på vor hjemmeside [www.vitavia.dk](http://www.vitavia.dk).

**På hjemmesiden kan De også finde gode råd, vejledninger og desuden se instruktionsvideoer, der viser samling af Vitavia drivhuse.**

## SIKKERHEDSANVISNING

**Brug arbejdshandsker**, da nogle af delene kan have skarpe kanter.

I tilfælde af stærk blæst eller storm: Luk alle oplukkede vinduer og døre, afmonter/deaktiver om nødvendigt eventuelle automatiske vinduesåbnere. Se endvidere vor hjemmeside [www.vitavia.dk](http://www.vitavia.dk), hvor De finder gode råd til forebyggelse af stormskader.

I tilfælde af stormskade kan der være mange glasstumper, som skal fjernes med stor forsigtighed for at undgå personskader.

I tilfælde af kraftigt snefald: Ryd drivhusets tag for sne og træf passende foranstaltninger til at understøtte taget f.eks. med en stolpe el. lign.

## ANMÆRKNINGER

Vi anbefaler, at De sørger for, at Deres husforsikring også dækker Deres drivhus. Overhold alle byggevedtægter.

Kontakt Teknisk Forvaltning i Deres kommune, hvis De er i tvivl.

Vi forbeholder os ret til uden varsel at foretage løbende produktjusteringer. På vor hjemmeside [www.vitavia.dk](http://www.vitavia.dk) vil De altid kunne downloade den nyeste manual, som derfor kan afvige lidt fra Deres produkt.

Manualens udgave kan identificeres ved hjælp af den talkode, der er trykt nederst på hver side i manualen. Hvis De har behov for at få tilsendt en ældre udgave af manualen, er De velkommen til at kontakte os på [opj@opj.dk](mailto:opj@opj.dk).

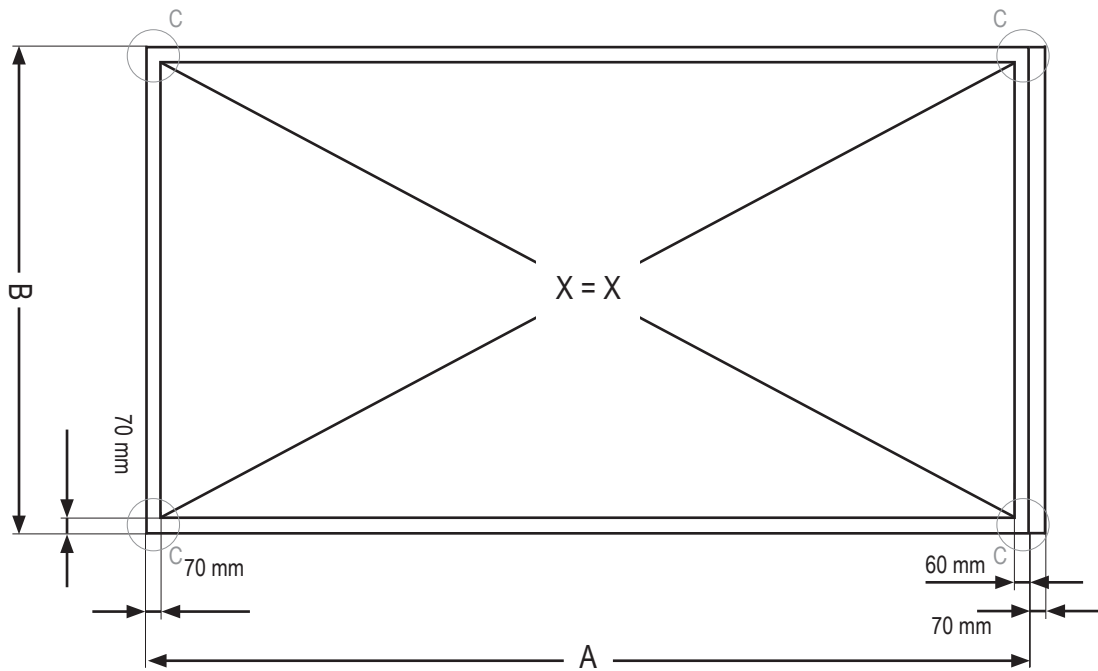
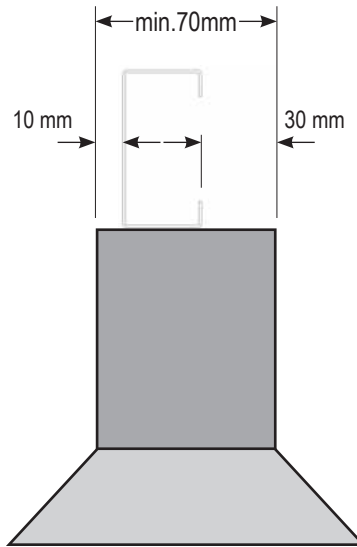
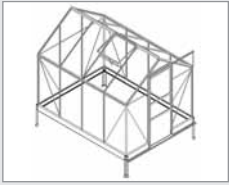
På hjemmesiden kan De også læse mere om vort store udvalg i tilbehørsartikler.

Alle målangivelser er ca.-mål.

Typebetegnelsen skal De bruge ved bestilling af evt. reservedele, så venligst opbevar montagevejledningen til senere brug.

Vi ønsker Dem god arbejdslyst og håber, at De får rigtig mange gode stunder med og i Deres Vitavia drivhus.

# 0A



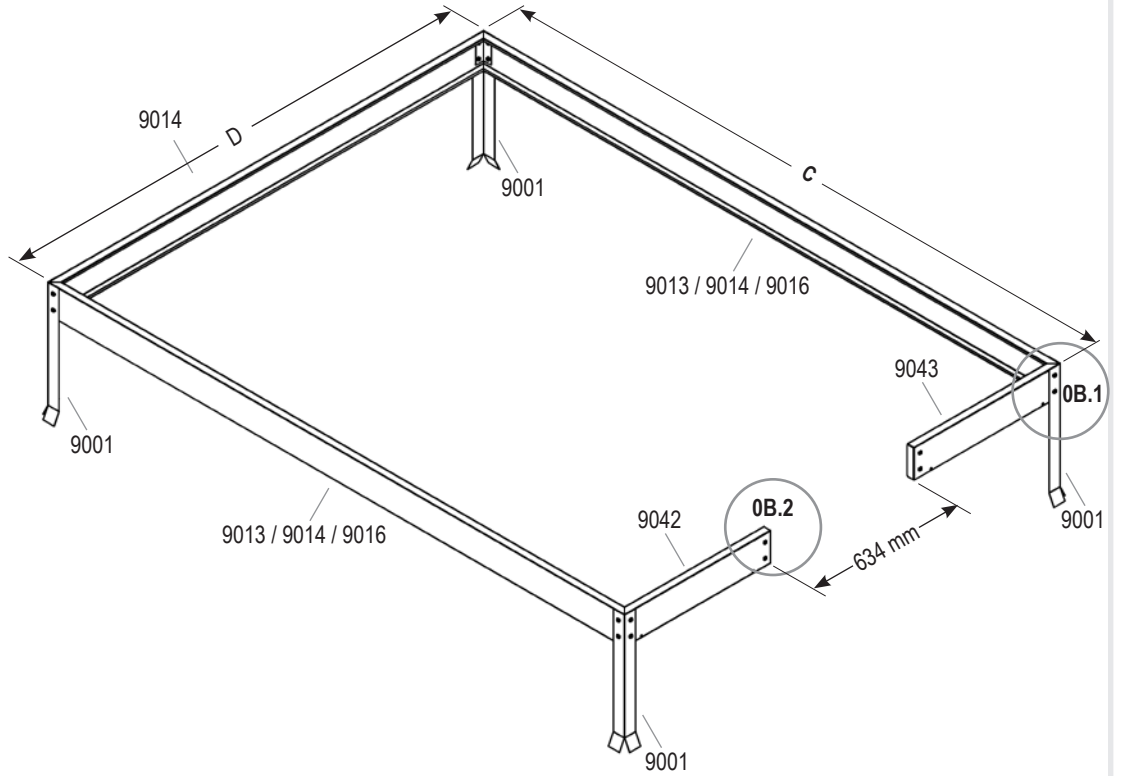
|                 | 2500         | 3800         | 5000         |
|-----------------|--------------|--------------|--------------|
| <b>A + 70mm</b> | 1310 + 70 mm | 1932 + 70 mm | 2554 + 70 mm |
| <b>B</b>        | 1942 mm      | 1942 mm      | 1942 mm      |

VM0036-AP

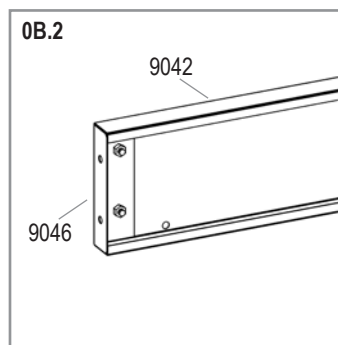
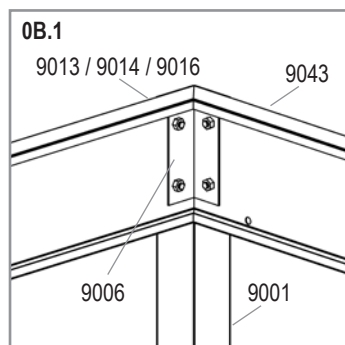
# OB



|      | 2500 | 3800 | 5000 |
|------|------|------|------|
| 1001 |      |      |      |
| 20x  | 20x  | 20x  | 20x  |
| 1002 |      |      |      |
| 20x  | 20x  | 20x  | 20x  |
| 9001 |      |      |      |
| 4x   | 4x   | 4x   |      |
| 9006 |      |      |      |
| 4x   | 4x   | 4x   |      |
| 9013 |      |      |      |
| 2x   | -    | -    |      |
| 9014 |      |      |      |
| 1x   | 3x   | 1x   |      |
| 9016 |      |      |      |
| -    | -    | 2x   |      |
| 9042 |      |      |      |
| 1x   | 1x   | 1x   |      |
| 9043 |      |      |      |
| 1x   | 1x   | 1x   |      |
| 9046 |      |      |      |
| 2x   | 2x   | 2x   |      |



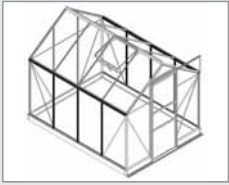
|          | 2500    | 3800    | 5000    |
|----------|---------|---------|---------|
| <b>C</b> | 1300 mm | 1922 mm | 2544 mm |
| <b>D</b> | 1922 mm | 1922 mm | 1922 mm |



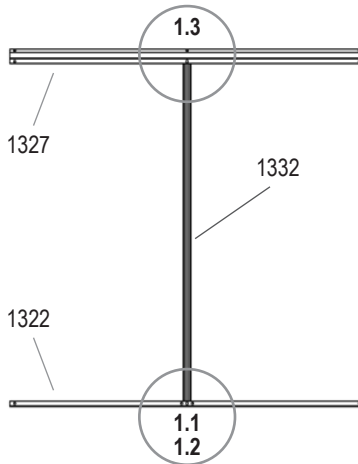
VM0036-AP



# 1



**2500**  
**2x**



|      |      |      |
|------|------|------|
| 2500 | 3800 | 5000 |
|------|------|------|

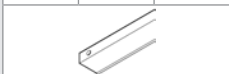
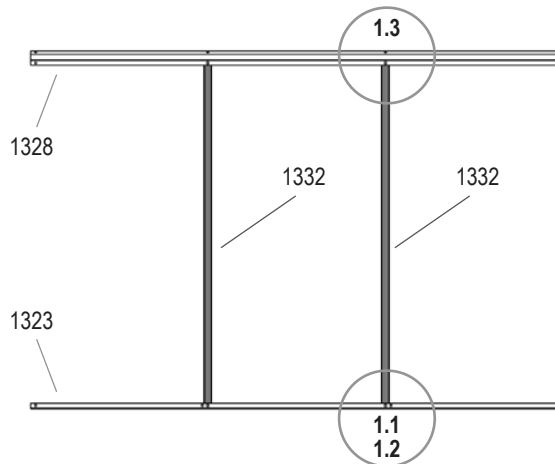


|      |      |      |
|------|------|------|
| 2x 2 | 4x 2 | 6x 2 |
|------|------|------|



|      |      |      |
|------|------|------|
| 2x 2 | 4x 2 | 6x 2 |
|------|------|------|

**3800**  
**2x**



|      |      |      |
|------|------|------|
| 1322 | 1323 | 1324 |
| 1x 2 | 1x 2 | 1x 2 |

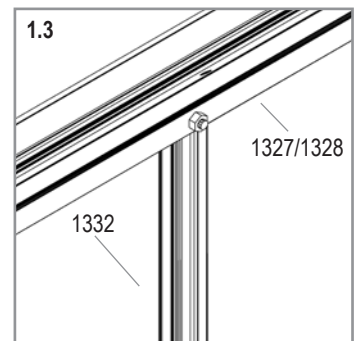
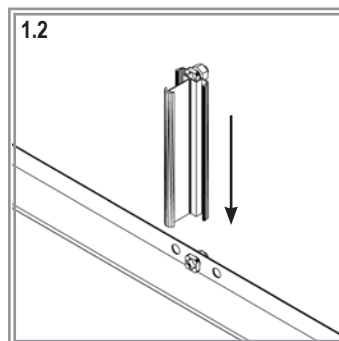
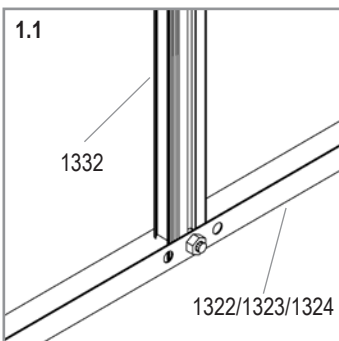
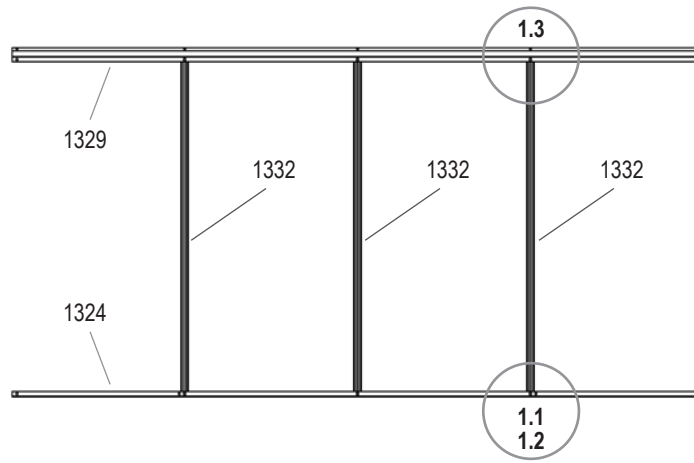


|      |      |      |
|------|------|------|
| 1327 | 1328 | 1329 |
| 1x 2 | 1x 2 | 1x 2 |



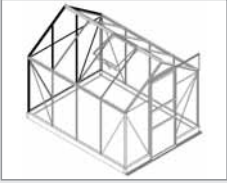
|      |      |      |
|------|------|------|
| 1x 2 | 2x 2 | 3x 2 |
|------|------|------|

**5000**  
**2x**

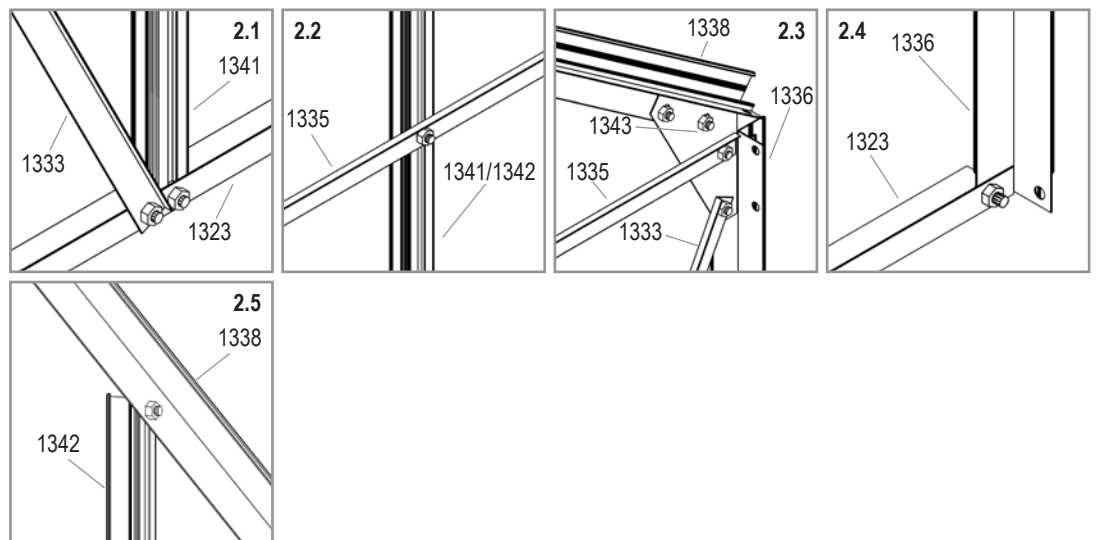
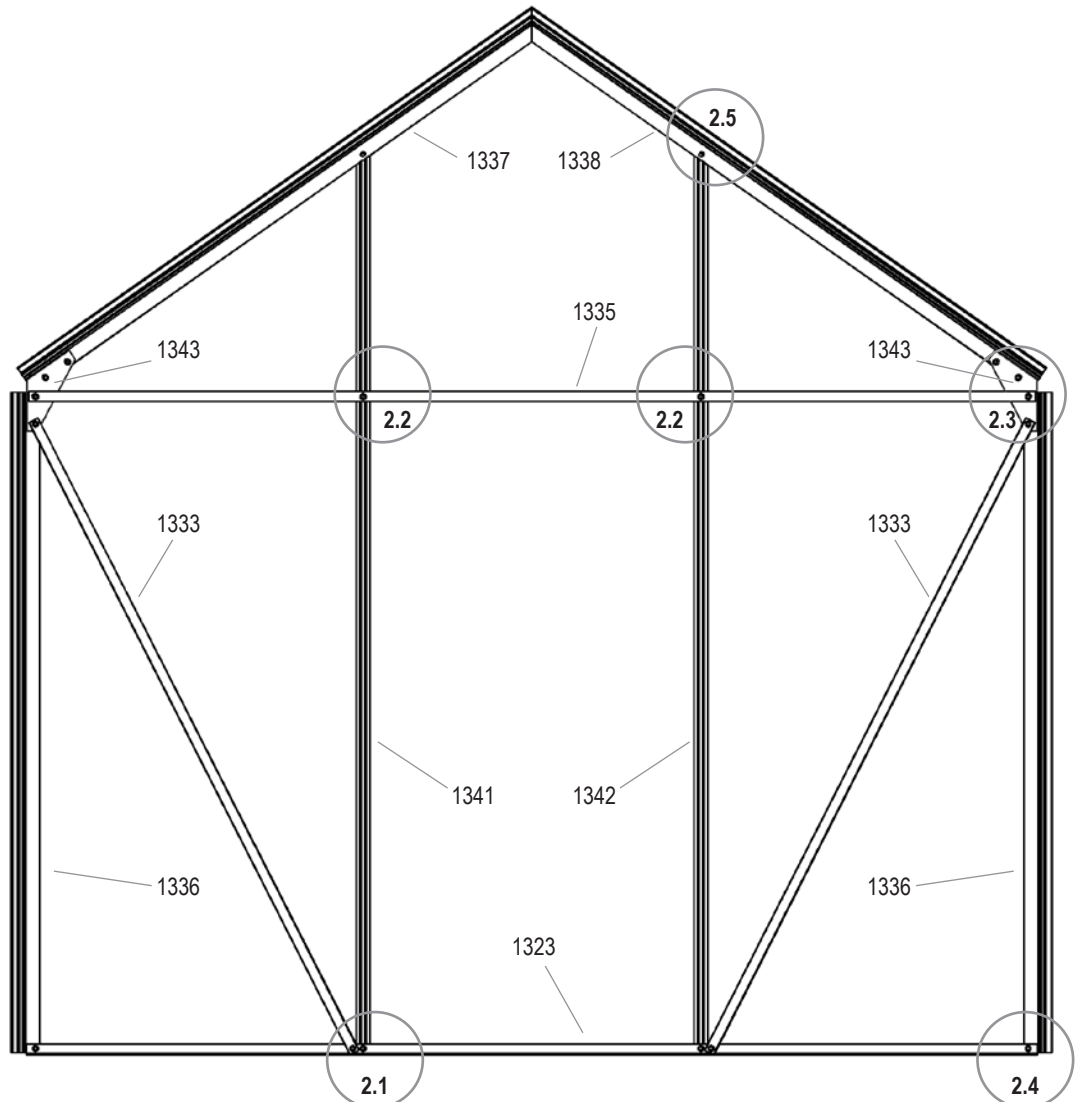


VM0036-AP

# 2

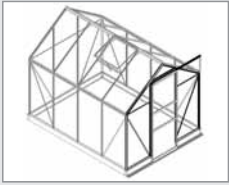


- 1001 18x
- 1002 18x
- 1323 1x
- 1333 2x
- 1335 1x
- 1336 2x
- 1337 1x
- 1338 1x
- 1341 1x
- 1342 1x
- 1343 2x

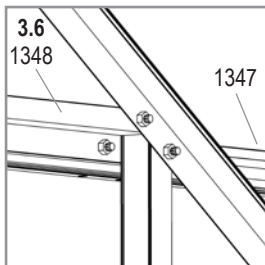
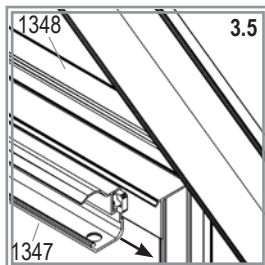
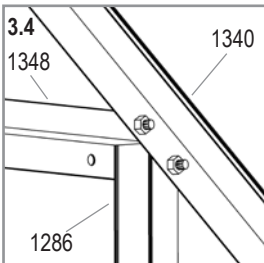
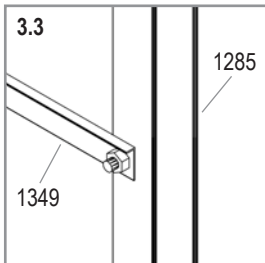
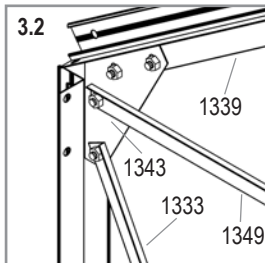
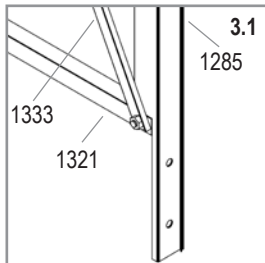
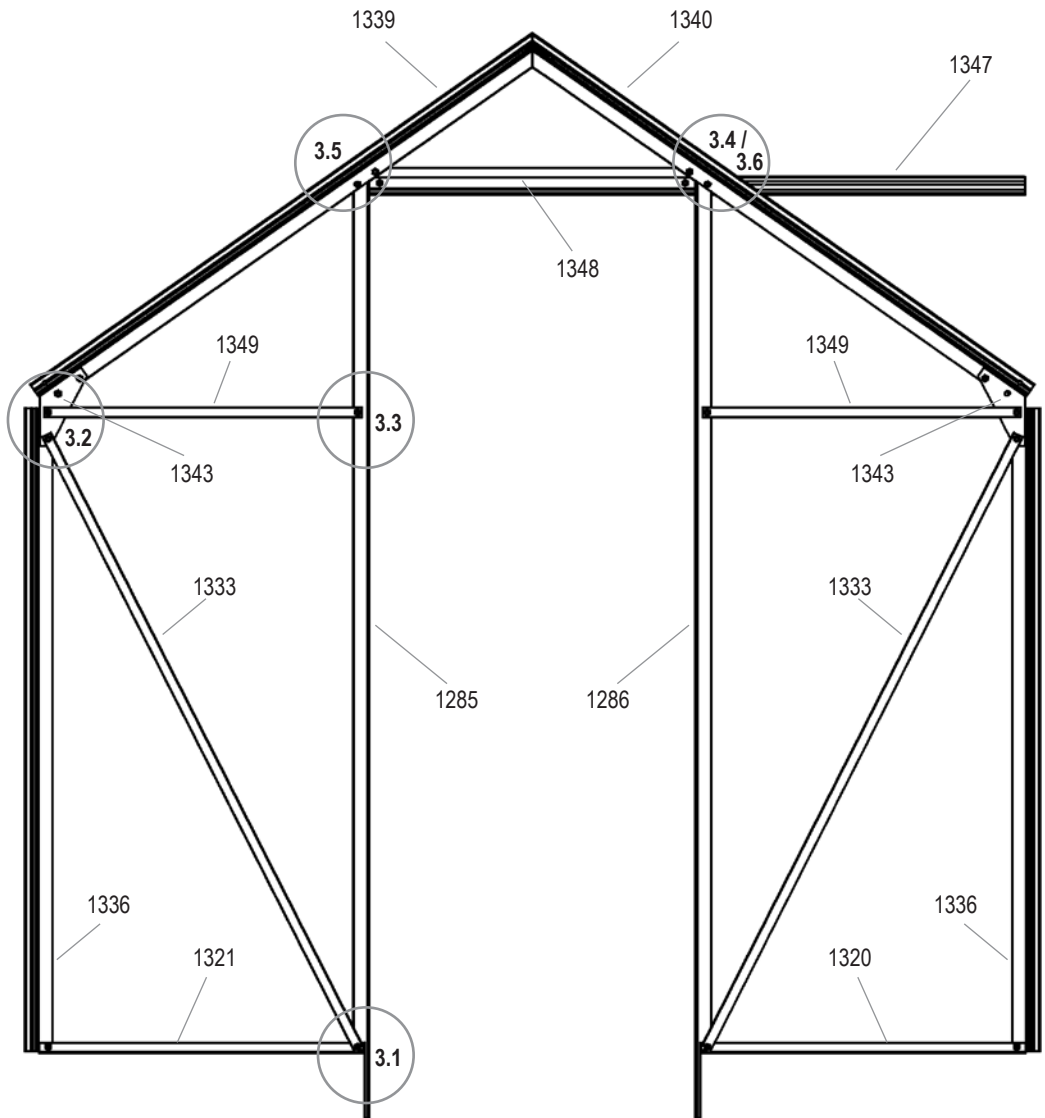


VM0036-AP

# 3



- 1001 20x
- 1002 20x
- 1285 1x
- 1286 1x
- 1320 1x
- 1321 1x
- 1333 2x
- 1336 2x
- 1339 1x
- 1340 1x
- 1343 2x
- 1347 1x
- 1348 1x
- 1349 2x

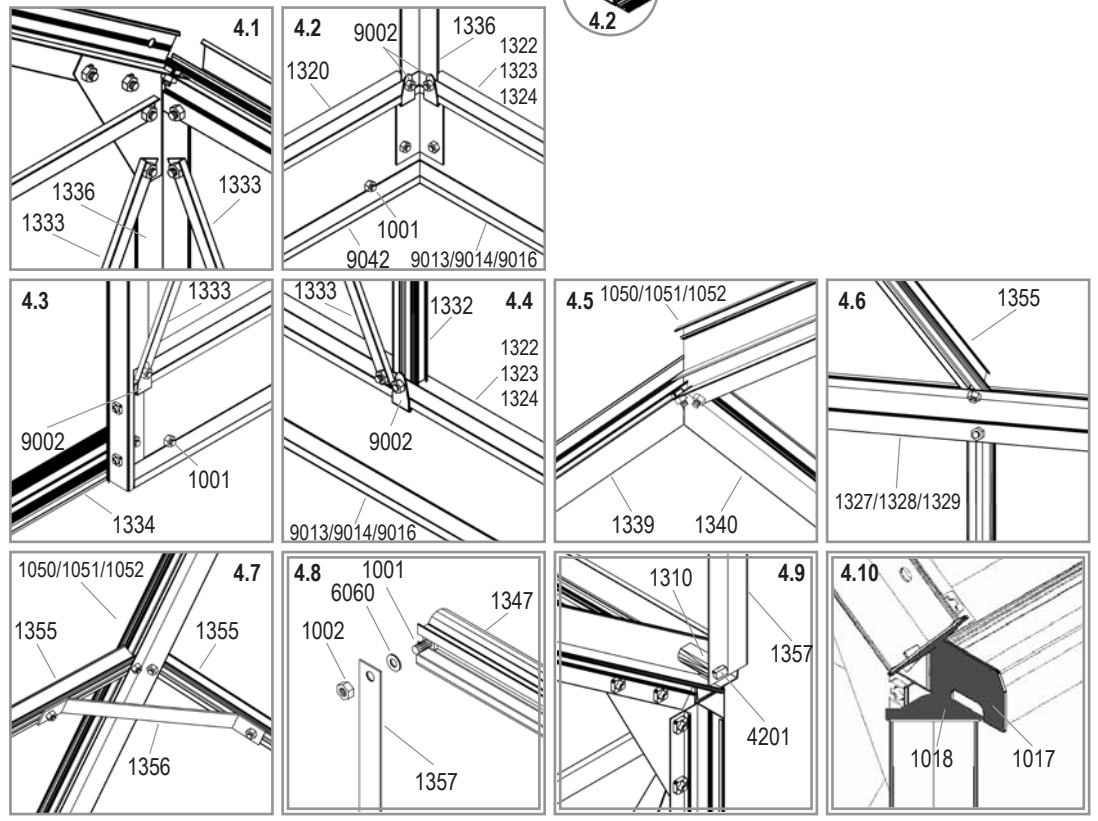
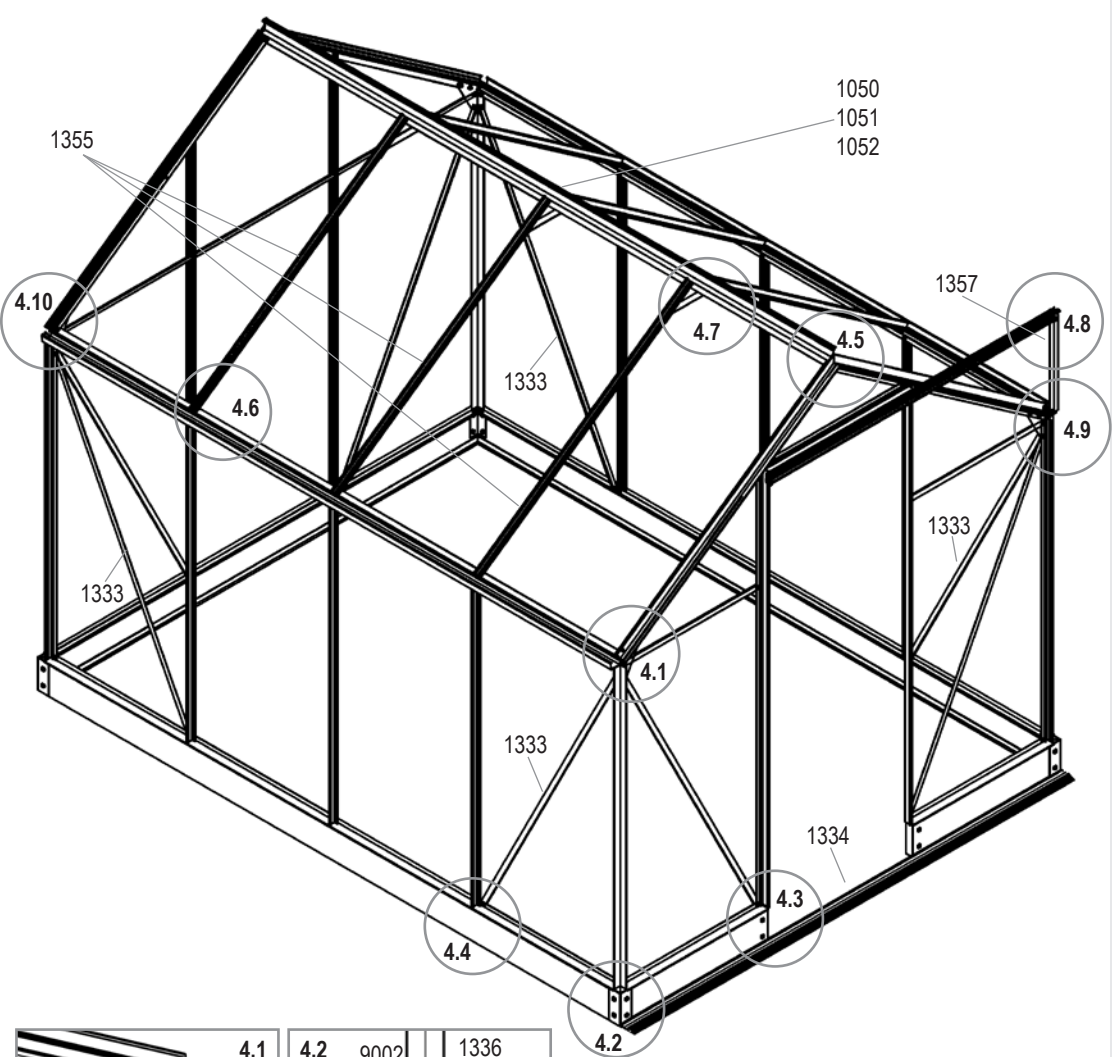


VM0036-AP

# 4



| 2500 | 3800 | 5000 |
|------|------|------|
| 1001 |      |      |
| 40x  | 47x  | 53x  |
| 1002 |      |      |
| 41x  | 48x  | 54x  |
| 1017 |      |      |
| 4x   | 4x   | 4x   |
| 1018 |      |      |
| 8x   | 8x   | 8x   |
| 1050 | 1051 | 1052 |
| 1x   | 1x   | 1x   |
| 1310 |      |      |
| 1x   | 1x   | 1x   |
| 1333 |      |      |
| 4x   | 4x   | 4x   |
| 1334 |      |      |
| 1x   | 1x   | 1x   |
| 1355 |      |      |
| 2x   | 4x   | 6x   |
| 1356 |      |      |
| 1x   | 2x   | 3x   |
| 1357 |      |      |
| 1x   | 1x   | 1x   |
| 4201 |      |      |
| 1x   | 1x   | 1x   |
| 6060 |      |      |
| 1x   | 1x   | 1x   |
| 9002 |      |      |
| 14x  | 16x  | 18x  |



VM0036-AP

# 5



1001  
3x



1002  
3x



1003  
16x



1007  
2x



1009  
2x



1014  
2x



1015  
2x



1304  
2x



1350  
2x



1359  
1x



1360  
1x



1361  
2x



1362  
1x



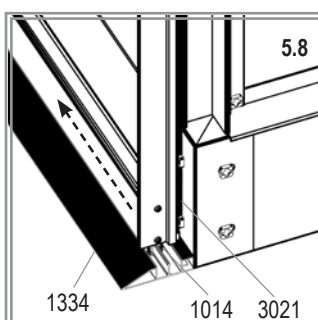
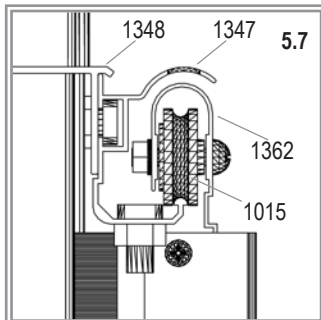
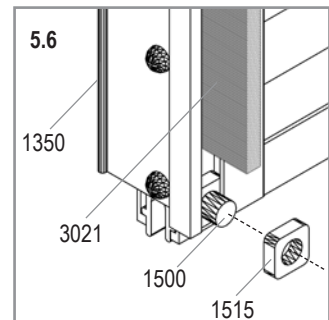
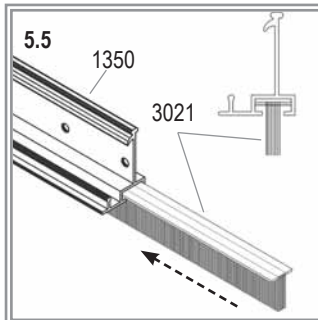
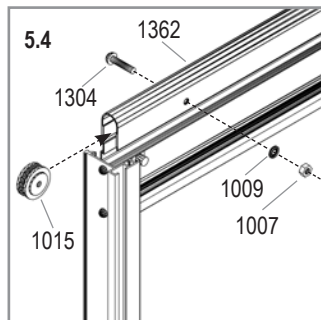
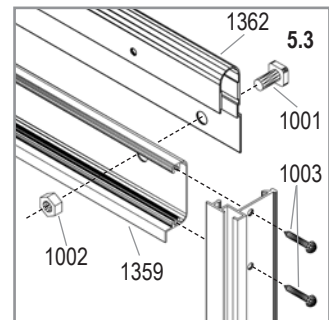
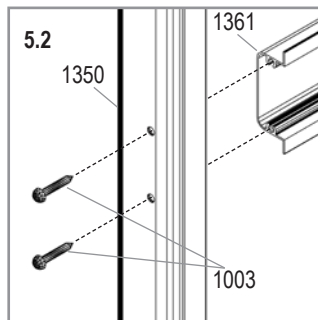
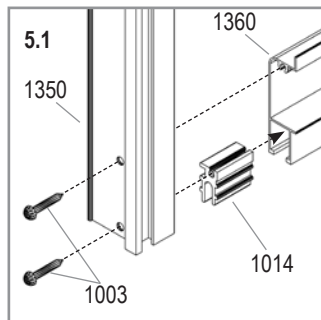
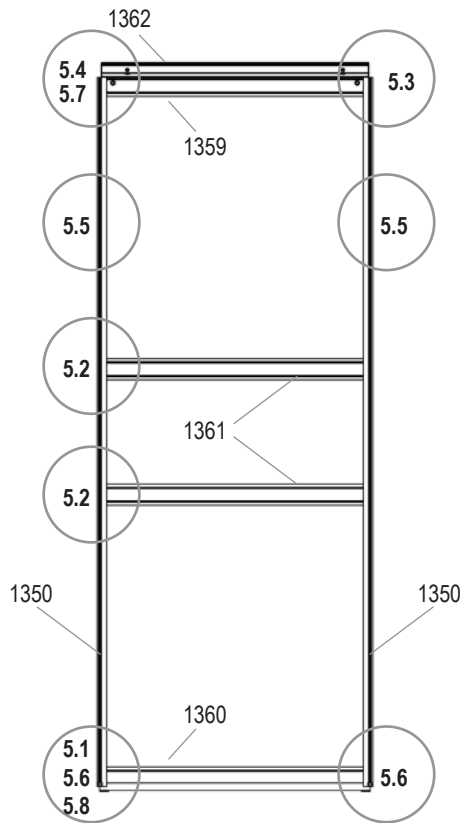
1500  
2x



1515  
2x



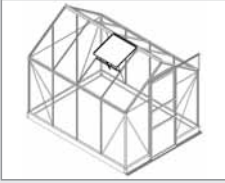
3021  
2x



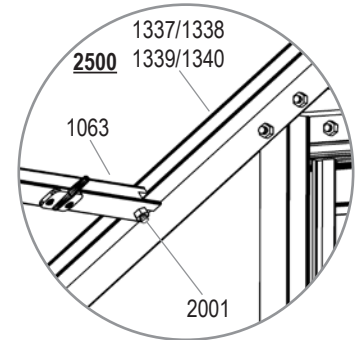
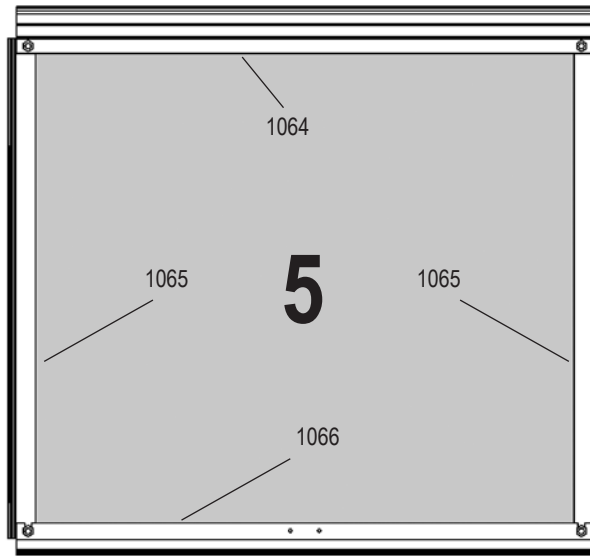
VM0036-AP



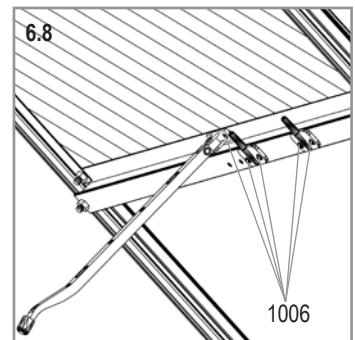
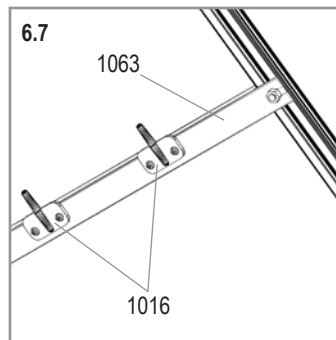
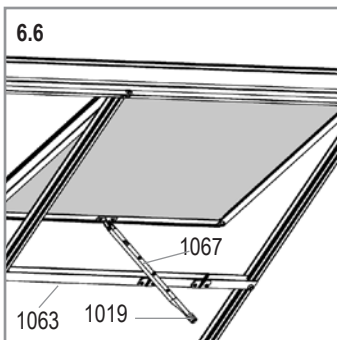
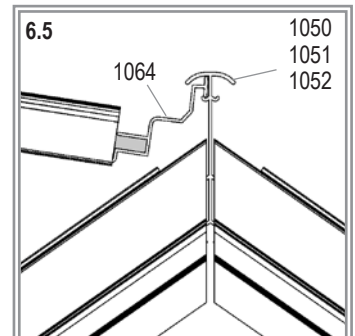
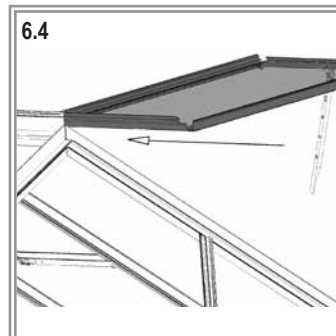
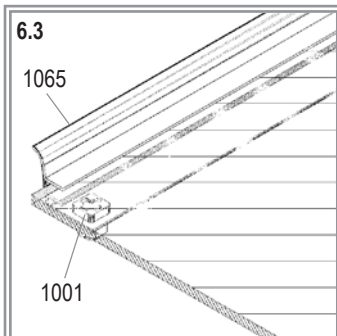
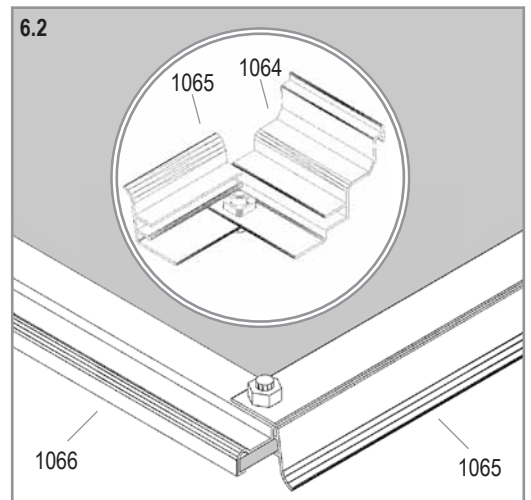
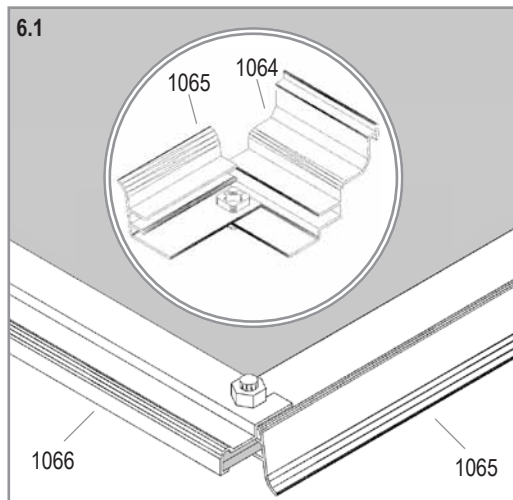
# 6



|      | 2500 | 3800 | 5000 |
|------|------|------|------|
| 1001 |      |      |      |
| 4x   | 4x   | 4x   |      |
| 1002 |      |      |      |
| 5x   | 4x   | 4x   |      |
| 1006 |      |      |      |
| 6x   | 6x   | 6x   |      |
| 1016 |      |      |      |
| 2x   | 2x   | 2x   |      |
| 1019 |      |      |      |
| 1x   | 1x   | 1x   |      |
| 1063 |      |      |      |
| 1x   | 1x   | 1x   |      |
| 1064 |      |      |      |
| 1x   | 1x   | 1x   |      |
| 1065 |      |      |      |
| 2x   | 2x   | 2x   |      |
| 1066 |      |      |      |
| 1x   | 1x   | 1x   |      |
| 1067 |      |      |      |
| 1x   | 1x   | 1x   |      |
| 2001 |      |      |      |
| 1x   | -    | -    |      |

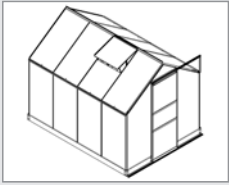


|   | Art. No. | mm        | 2500 | 3800 | 5000 |
|---|----------|-----------|------|------|------|
| 5 | 3679491  | 600 x 544 | 1x   | 1x   | 1x   |

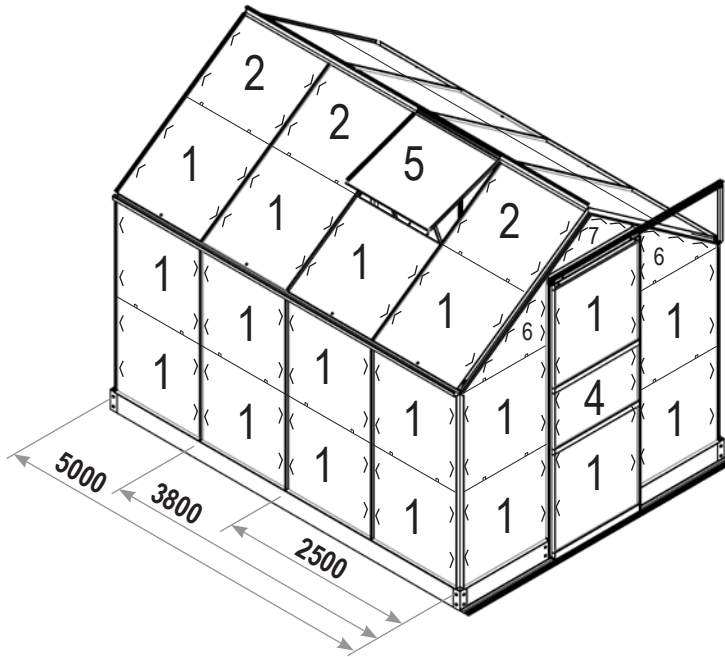
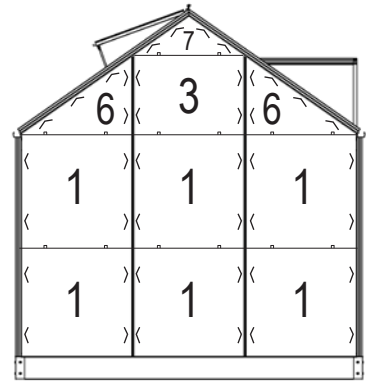


VM0036-AP

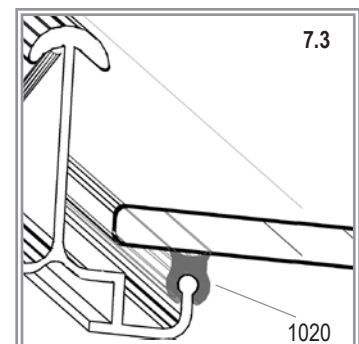
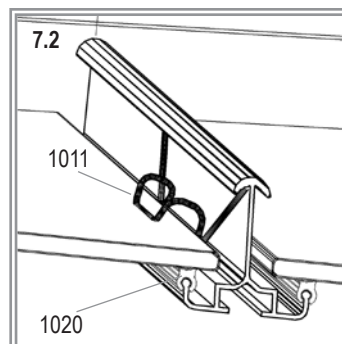
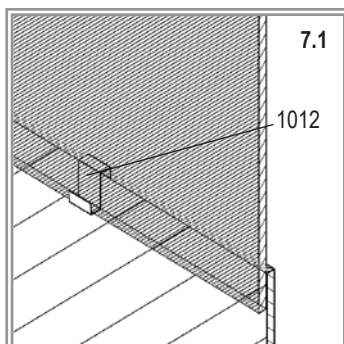
# 7



|      |      |      |
|------|------|------|
| 2500 | 3800 | 5000 |
| 1011 |      |      |
| 144x | 176x | 208x |
| 1012 |      |      |
| 36x  | 44x  | 52x  |
| 1020 |      |      |
| 1x   | 1x   | 1x   |



|              | Art. No. | mm              | 2500       | 3800       | 5000       |
|--------------|----------|-----------------|------------|------------|------------|
| 1            | 3679011  | 610 x 610       | 24x        | 30x        | 36x        |
| 2            | 3679411  | 610 x 544       | 3x         | 5x         | 7x         |
| 3            | 3679421  | 610 x 467       | 1x         | 1x         | 1x         |
| 4            | 3679331  | 610 x 343       | 1x         | 1x         | 1x         |
| 5            | 3679491  | 600 x 544       | 1x         | 1x         | 1x         |
| 6            | 3679441  | 610 x 464/38    | 4x         | 4x         | 4x         |
| 7            | 3679451  | 610 x 20/234/20 | 2x         | 2x         | 2x         |
| <b>Total</b> |          |                 | <b>36x</b> | <b>44x</b> | <b>52x</b> |



VM0036-AP











E.P.H. Schmidt u. Co. GmbH  
Hoefkerstrasse 30  
44149 Dortmund  
Postfach 170163  
44060 Dortmund  
Deutschland  
Tel.: +49 231 941655 0  
Fax: +49 231 941655 99  
[www.eph-schmidt.de](http://www.eph-schmidt.de)  
[verkauf@eph-schmidt.de](mailto:verkauf@eph-schmidt.de)

OPJ A/S  
Volderslevvej 36 A  
5260 Odense S  
Danmark  
Tel.: +45 66 15 10 30  
Fax: +45 66 15 00 84  
[www.opj.dk](http://www.opj.dk)  
[opj@opj.dk](mailto:opj@opj.dk)